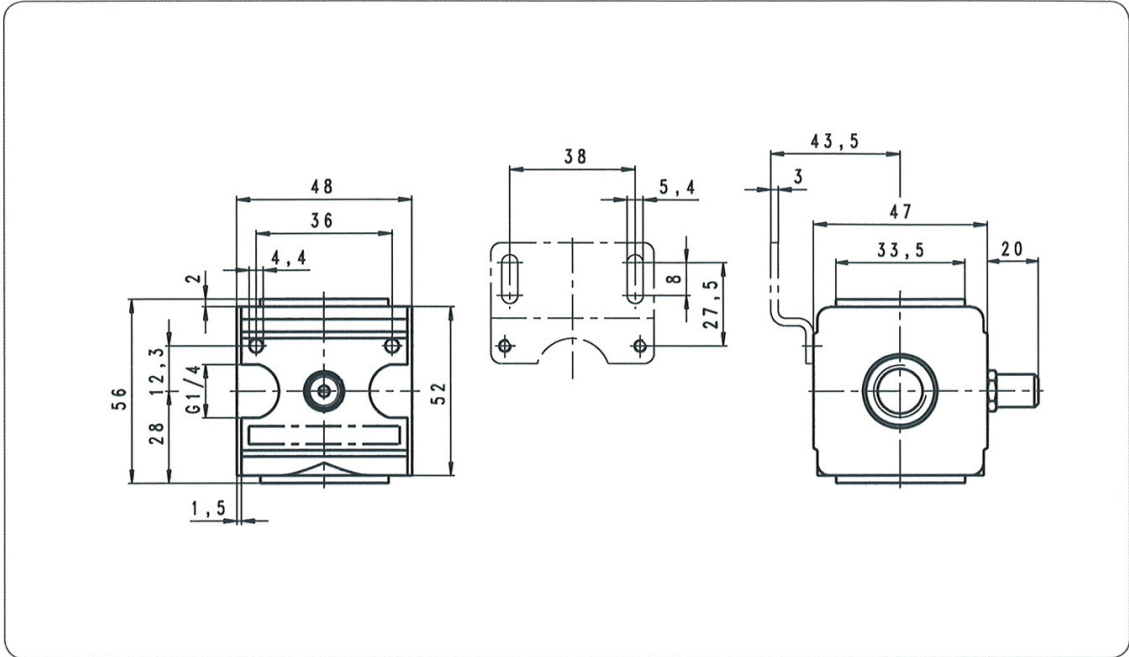
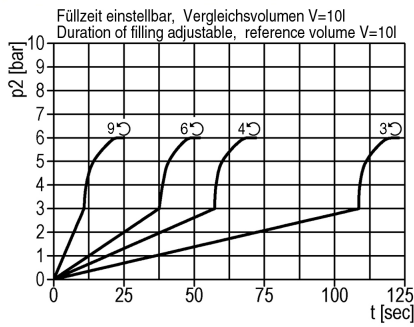


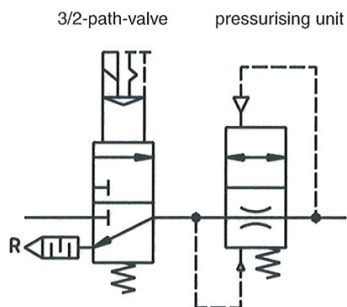
dimensions (mm)



charging characteristics



various application



Aeration of the mechanism over throttle setting of the pressurising unit.
 When $P_2 \geq 50\%$ P1 opens full profile.
 Pressure release at R

accessories

mounting bracket

type: ZW 11

Four empty rectangular boxes for additional accessories.